

verte

your style. your comfort. your health.



seating

ideal posture

Imagine settling into a chair that molds itself to your spine's unique shape. Inspired by the human vertebrae, the Verte combines ergonomics, form and function to produce the ultimate in seating posture and comfort. A decade in the making, the Verte was created by a team of engineers, designers, and ergonomists, and is truly one of a kind. Sit in it once, and you'll never settle for anything less.





The flexible dual-vertebrae support system helps improve posture

Program your ideal posture with the single touch of a lever

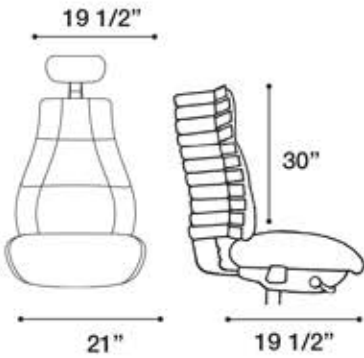


Now available in fabric

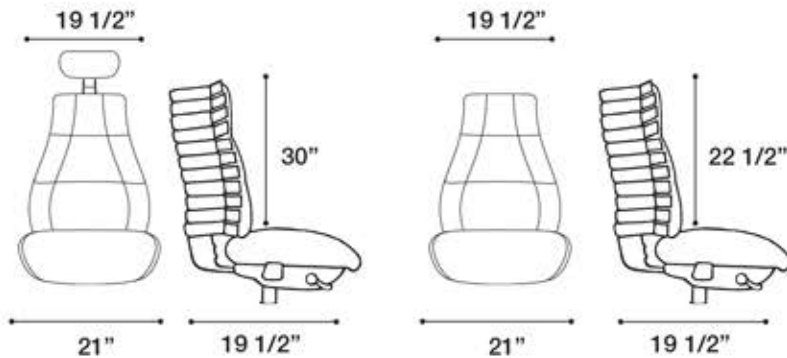
Accommodates up to 300 lbs.

- A:** VERTE 22111-23A-78P
Black Leather (standard)
- B:** VERTE 22011-24A-78P
Black Leather (standard)
- C:** VERTE 22111-23A-78P
Black Leather (standard)
- D:** VERTE 22305-23A-78P
Mayer Lucia Casa – Paradigm Lava

verte



EXECUTIVE 22011



EXECUTIVE 22111

TASK 22305

A good fit for every body

For more than 35 years, RFM Seating has built a reputation for offering workplace seating that focuses on ergonomics, smart style and solid craftsmanship. Based in the Pacific Northwest, RFM Seating offers chairs made to fit the individual with one of the largest selections of options available. RFM Seating's flexibility and commitment to customer service means Verte orders ship in just 10 days.

FEATURES & BENEFITS

- » Available in Task and Executive options
- » Accommodates up to 300 lbs.
- » Patented back built with 11 torsion spring-loaded joints that take an exact spine impression (lock in place at the touch of a lever)
- » Verte Executive features headrest and choice of brushed aluminum or black ribs
- » Black leather standard; all models available in fabric by request
- » Dual density seat foam standard



303-404-2222
www.doubleblackimaging.com
sales@doubleblackimaging.com